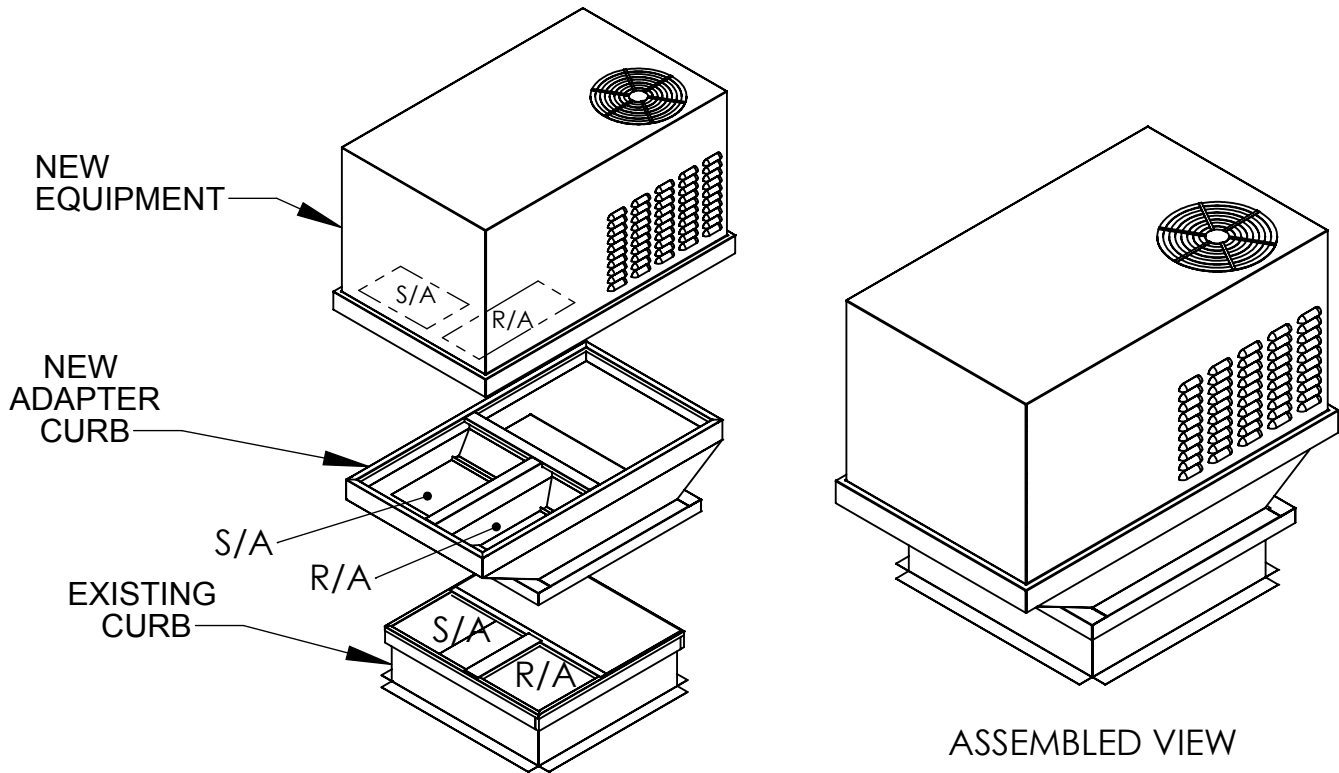


Aladdin

Metal Products, Inc.

82 Kennedy Dr. Forest Park, Ga 30297
(404)366-2215 Fax:(404)366-9480

ADAPTER CURB INSTALLATION INSTRUCTIONS



1. Verify all existing curb and new unit dimensions match curb adapter prior to removal of the existing unit. **(It is NOT recommended to install and adapter on top of another adapter !)**
2. Have all electric and gas utilities turned off and disconnected from the existing unit by a licensed professional.
3. Remove existing unit, ensuring that any duct connections to the unit are disconnected before lifting.
4. Reinforce the existing roof curb and roof structure as required.
5. Prepare all duct drops by extending them flush to the top of the existing roof curb.
6. Apply supplied gasket material to the top perimeter and around all duct openings of existing roof curb.
7. Install new adapter curb on top of existing roof curb, aligning the supply & return transitions to the existing duct openings. Ensure proper seal to duct using duct sealant if necessary.
8. Apply gasket material to top perimeter and around all duct openings of new adapter curb.
9. Set new unit on adapter curb, aligning the supply & return duct openings of the unit with appropriate openings of the new adapter curb.
10. Have all electric and gas utilities connected to the new unit by a licensed professional.

**Have further questions? Give us a call at 404-366-2215.
We are here to help!**